

Concealed floor mounting -

35 944 970 90

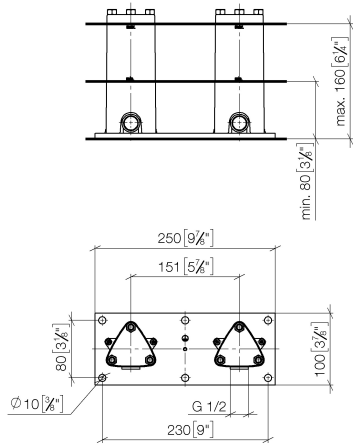


- stainless steel
- 2x 1/2" connection angle
- gauge 150 mm
- 2x anti-water packing
- 2x dust cover
- soundproofing
- WRAS 1911027

Concealed floor mounting -

35 944 970 90

mm [inches]

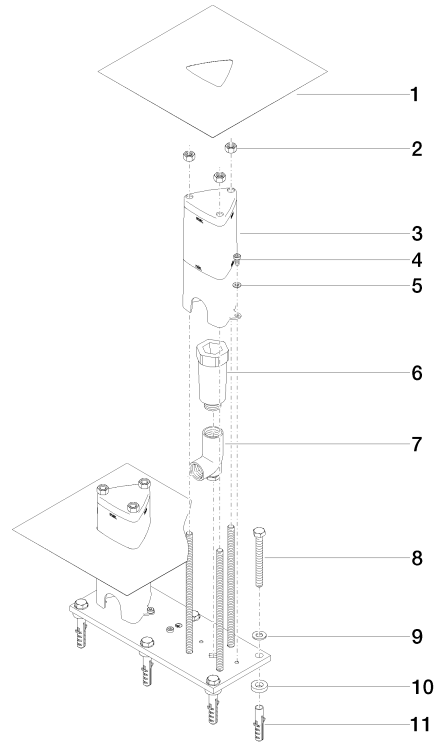


Certificates

WRAS_1911027.

Concealed floor mounting -

35 944 970 90



Spare parts list

No.	Item Number	Name	Quantity used	Delivery time
1	09 14 03 110 90	seal	2	2
2	09 23 10 023 90	nut	3	2
3	09 21 02 127 90	cap	2	-
Spare part can no longer be ordered, please order the replacement item				
4	09 30 30 085 90	screw	5	60
5	09 30 11 048 90	disc	5	2
6	09 31 20 011 90	plug	2	2
7	09 24 02 090 90	nipple	2	2
8	09 30 31 012 90	screw	6	2
9	09 30 11 045 90	disc	6	2
10	09 14 05 052 90	seal	6	60
11	09 30 35 003 90	plug	6	2